

bluestar

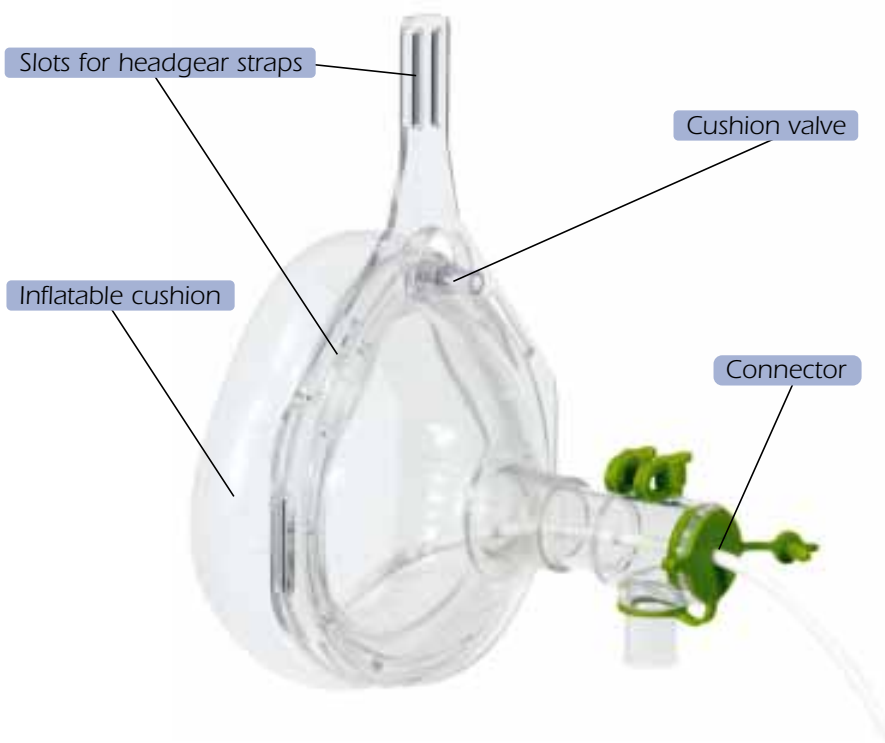


KOO EUROPE srl



**Face mask devised
for non-invasive assisted
and/or controlled
ventilation
(CPAP and Bilevel)
with inflatable cushion
The cushion guarantees
air-tightness
and a high comfort level**

- Single patient face mask devised for non-invasive assisted and/or controlled ventilation (CPAP and Bilevel) with inflatable cushion.
- The mask adjusts perfectly to the patient's face preventing air leakage and has six slots for the headgear straps.
- Due to the special contour adaptation of the cushion, skin break-down is minimal.
- The mask also comes with a special connector with ports for O₂ and EtCO₂ and for airway pressure measuring.
- Thanks to the connector's special design, it is also possible to use nasogastric probe, even while the patient is undergoing ventilation treatment.
- Latex Free.
- Available in five sizes: Extra Large - Large - Medium - Small - Child
- The **Headgear** is made of lightweight elastic material, which lets the skin breath and is equipped with panic-straps for a quick and easy removal in case of emergency.



OPTIONALS



TECHNICAL CHARACTERISTICS

Code	Size	Weight gr.	Dead space	Connector diameter
KPM004M	Child, XS	46,0		External 27 mm Internal 22 mm
KPM003M	Small, S	65,0		External 27 mm Internal 22 mm
KPM002M	Medium, M	70,0		External 27 mm Internal 22 mm
KPM001M	Large, L	79,5		External 27 mm Internal 22 mm
KPM001L	Ultra large, XL	91,0		External 27 mm Internal 22 mm

CAP

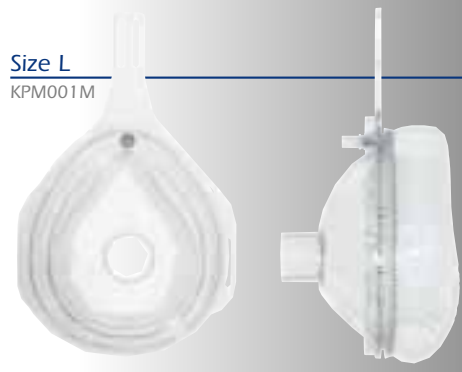
Note: - Disposable, washable in non-aggressive detergent solutions.
 - Not to be used on unconscious patients.
 - Always use a CO₂ exhalation system and use an anti-choke valve in home-care ventilation.

MASK DIMENSIONS

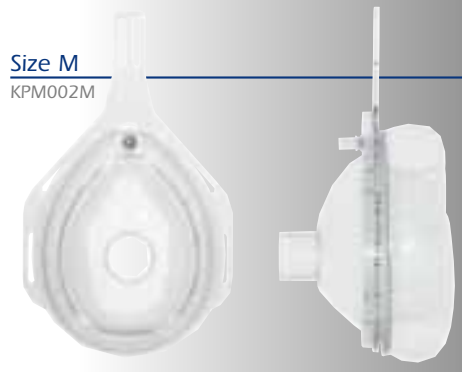
Size XL
KPM001L



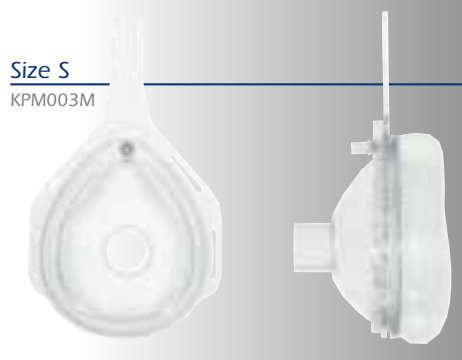
Size L
KPM001M



Size M
KPM002M



Size S
KPM003M



Size XS
KPM004M

